



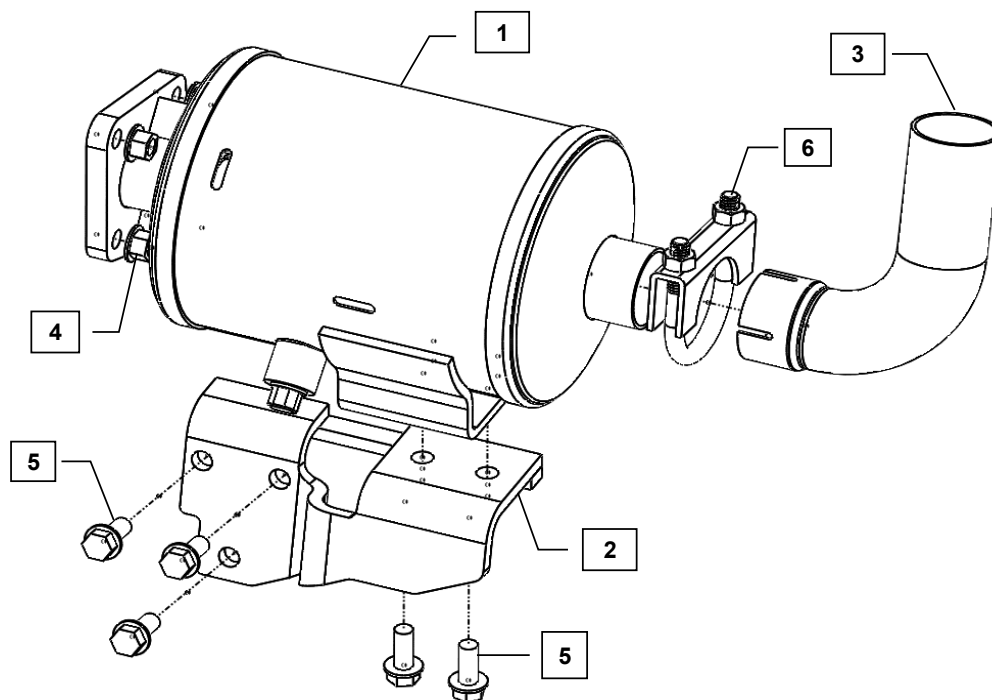
Supplement to Yanmar Kit Installation Instructions

SAFETY

This product is designed and intended only for use with a YANMAR engine. All safety and warning information contained in the Yanmar Operation Manual and Service Manual is adopted and incorporated to apply to the components, accessories, and parts that are utilized with Yanmar engines. Follow all instructions and precautions before installing this product, before operating, during operation, and during periodic maintenance procedures for your safety, the safety of others, and to protect the performance of your engine.



Item	Part No.	Description	Quantity	Remarks
1	119E34-13500	Muffler	1	
2	119E34-13700	Muffler Bracket	1	
3	119E34-13600	Outlet Elbow	1	
4	26306-080002	Nut, M8 X 1.25 (Flanged hex head)	4	
5	26106-080202	Bolt, M8 X 1.25 - 20 (Flanged hex head)	5	
6	119E34-13710	U-Bolt, 1-3/4" ID (Nut, M8 X 1.25)	1	
7	129A01-18090*	Gasket, Muffler	0	Included w/ engine



MODELS
3TNV80FT

Note: Service parts are denoted by an asterisk. To replace non-service parts, the entire kit will need to be purchased.



Installation Instructions

WARNING: DO NOT INSTALL KIT WHILE THE ENGINE IS STILL HOT!

Hand tighten all bolts and nuts until assembly is completed, then torque according to specifications in Table 1.

1. Place the exhaust gasket included with the engine onto the turbo outlet stud bolts.
2. Place the Muffler (1) onto the turbo outlet stud bolts with the M8 X1.25 Flange Nuts (4).
3. Fasten the Muffler Bracket (2) using M8 X 1.25 - 20mm bolts(5) to the three holes on the exhaust manifold. Fasten the Muffler (1) onto the Muffler Bracket (2) using M8 X 1.25 - 20mm bolts (5).
4. Fasten the Muffler (1) Assembly to the turbo outlet using the M8 X 1.25 nuts (4).
5. Attach and fasten the Outlet Elbow (3) to the Muffler (1) outlet using a U-bolt (6).

Table 1: Proper torque specifications for bolts and nuts.

Diameter x Pitch	Kgf-m	Foot-lbf	N-m
M8 x 1.25	1.5 ~ 2.9	10.6 ~ 20.9	14.4 ~ 28.3