



## Supplement to Yanmar Kit Installation Instructions

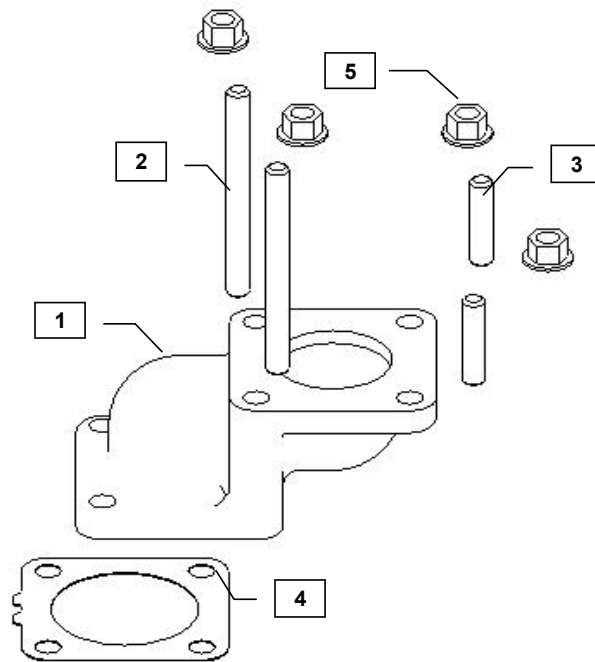
# SAFETY

---

This product is designed and intended only for use with a YANMAR engine. All safety and warning information contained in the Yanmar Operation Manual and Service Manual is adopted and incorporated to apply to the components, accessories, and parts that are utilized with Yanmar engines. Follow all instructions and precautions before installing this product, before operating, during operation, and during periodic maintenance procedures for your safety, the safety of others, and to protect the performance of your engine.



Item	Part No.	Description	Quantity	Remarks
--	729689-13140	Bend Kit	1	
1	119840-13150*	Exhaust bend	1	
2	119823-13600*	Stud, M8 x 1.25 - 70	2	
3	119131-18320*	Stud, M8 x 1.25 - 22	2	
4	129004-13200*	Gasket, Muffler	1	
5	26306-080002*	Nut, M8 x 1.25 (Flanged hex head)	4	



**MODELS**

3TNV70  
3TNV76  
3TNV82A  
3TNV88

Note: Service parts are denoted by an asterisk. To replace non-service parts, the entire kit will need to be purchased.

Remarks:



## Installation Instructions

### WARNING: DO NOT INSTALL THE KIT WHILE THE ENGINE IS STILL HOT

Hand tighten all bolts and nuts until the assembly is completed, then torque to the specifications in Table 1 below.

1. Remove the two studs on the right side of the exhaust manifold flange.
2. Install the provided M8x1.25 - 70 Studs in place of the two just removed.
3. Place the Muffler Gasket (4) and mount the Exhaust Bend (1) on the exhaust manifold flange studs, secure with the M8x1.25 Flange Nuts.
4. Install the M8x1.25 - 22 Stud Bolts (3) on the upper flange of the Exhaust Bend (1).

Table 1: Proper torque specifications for bolts and nuts.

Diameter x Pitch	Kgf-m	Foot-lbf	N-m
M8 x 1.25	1.5 ~ 2.9	10.6 ~ 20.9	14.4 ~ 28.3