



## Supplement to Yanmar Kit Installation Instructions

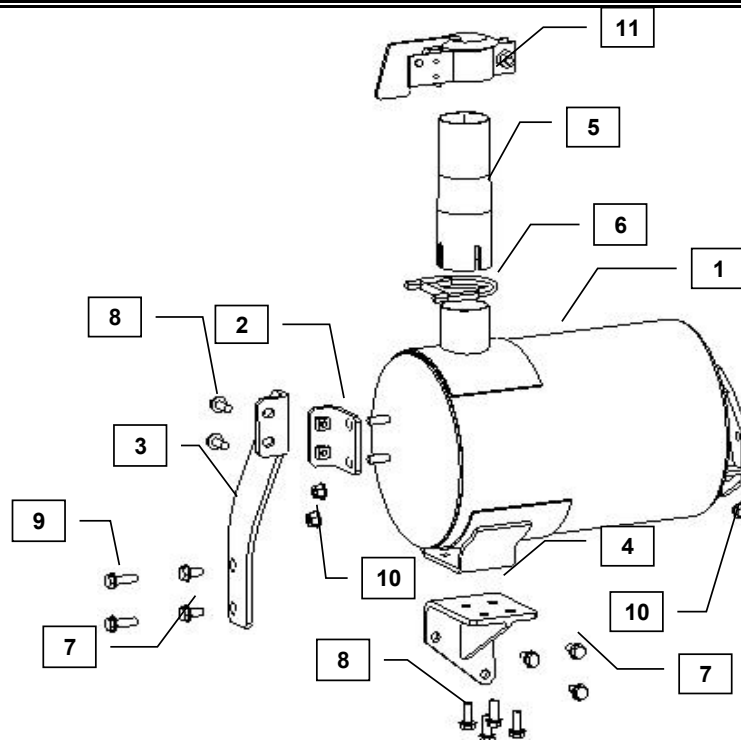
# SAFETY

---

This product is designed and intended only for use with a YANMAR engine. All safety and warning information contained in the Yanmar Operation Manual and Service Manual is adopted and incorporated to apply to the components, accessories, and parts that are utilized with Yanmar engines. Follow all instructions and precautions before installing this product, before operating, during operation, and during periodic maintenance procedures for your safety, the safety of others, and to protect the performance of your engine.



Item	Part No.	Description	Quantity	Remarks
--	729989-13110	Muffler Kit	1	
1	129935-13500*	Muffler	1	
2	129935-13630*	Stay, Head	1	
3	129935-13620*	Stay, Head	1	
4	129935-13600*	Bracket, Muffler	1	
5	129989-13510*	Extension Pipe	1	
6	129087-13540*	Clamp, Extension Pipe	1	
7	26106-080162*	Bolt, M8 x 1.25 - 16 (Flanged hex head)	5	
8	26106-080202*	Bolt, M8 x 1.25 - 20 (Flanged hex head)	6	
9	26106-080252*	Bolt, M8 x 1.25 - 25 (Flanged hex head)	2	
10	26306-080002*	Nut, M8 x 1.25 (Flanged hex head)	6	
11	129087-13530*	Rain Cap	1	



**MODELS**  
4TNV98T

Note: Service parts are denoted by an asterisk. To replace non-service parts, the entire kit will need to be purchased.

Remarks:



## Installation Instructions

### WARNING: DO NOT INSTALL THE KIT WHILE THE ENGINE IS STILL HOT

Hand tighten all bolts and nuts until the assembly is completed, then torque to the specifications in Table 1 below.

1. Place the exhaust gasket included with the engine on the turbo charger flange studs.
2. Assemble all brackets onto the muffler loosely
3. Place muffler on engine and secure brackets to corresponding locations on the engine, use torque specifications in table 1.
4. Tighten all bolts and nuts to torque specifications in Table 1 below.

Table 1: Proper torque specifications for bolts and nuts.

Diameter x Pitch	Kgf-m	Foot-lbf	N-m
M8 x 1.25	1.5 ~ 2.9	10.6 ~ 20.9	14.4 ~ 28.3