



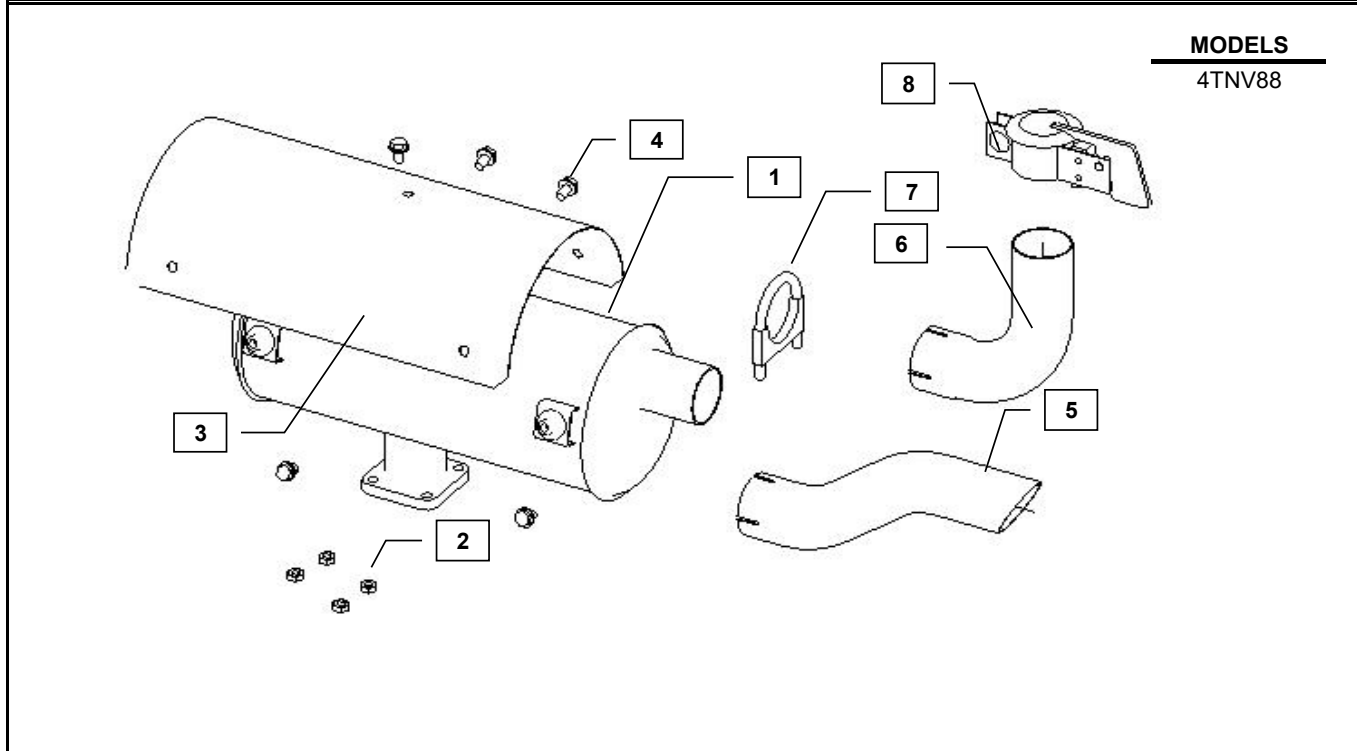
Supplement to Yanmar Kit Installation Instructions

SAFETY

This product is designed and intended only for use with a YANMAR engine. All safety and warning information contained in the Yanmar Operation Manual and Service Manual is adopted and incorporated to apply to the components, accessories, and parts that are utilized with Yanmar engines. Follow all instructions and precautions before installing this product, before operating, during operation, and during periodic maintenance procedures for your safety, the safety of others, and to protect the performance of your engine.



Item	Part No.	Description	Quantity	Remarks
--	729689-13110	Muffler Kit	1	
1	129687-13500*	Muffler	1	
2	26306-080002*	Nut, M8 x 1.25 (Flanged hex head)	4	
3	129087-13550*	Heat shield	1	
4	26106-080122*	Bolt, M8 x 1.25 - 12 (Flanged hex head)	5	
5	129087-13510*	Extention pipe	1	
6	129087-13520*	Tail pipe elbow	1	
7	129087-13540*	Clamp, Extension Pipe	1	
8	129087-13530*	Rain Cap	1	



Note: Service parts are denoted by an asterisk. To replace non-service parts, the entire kit will need to be purchased.

Remarks:



Installation Instructions

WARNING: DO NOT INSTALL THE KIT WHILE THE ENGINE IS STILL HOT

Hand tighten all bolts and nuts until the assembly is completed, then torque to the specifications in Table 1 below.

1. Place the exhaust gasket included with the engine on the exhaust manifold flange studs.
2. Mount the muffler (1) on the exhaust manifold flange studs, secure using the M8x1.25 flange nuts (2).
3. Position the heat shield (3) over the muffler and secure with the M8x1.25 - 12 flange hex head bolts (4).
4. Choose either the exhaust extension pipe (5) or the elbow pipe* (6), slide clamp (7) over the split end of the selected exhaust pipe leaving a loose fit.
5. Position the split end of the chosen pipe over the muffler outlet and tighten the clamp so that a good seal is formed.

*If the elbow pipe is chosen, the raincap (8) should be installed.

Table 1: Proper torque specifications for bolts and nuts.

Diameter x Pitch	Kgf-m	Foot-lbf	N-m
M8 x 1.25	1.5 ~ 2.9	10.6 ~ 20.9	14.4 ~ 28.3