



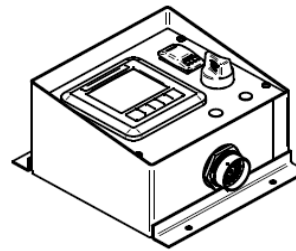
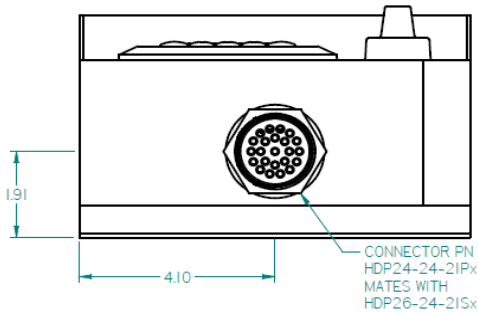
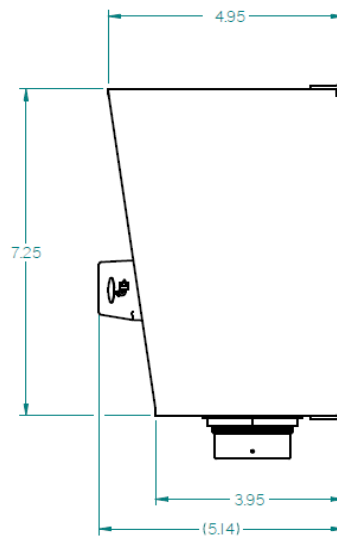
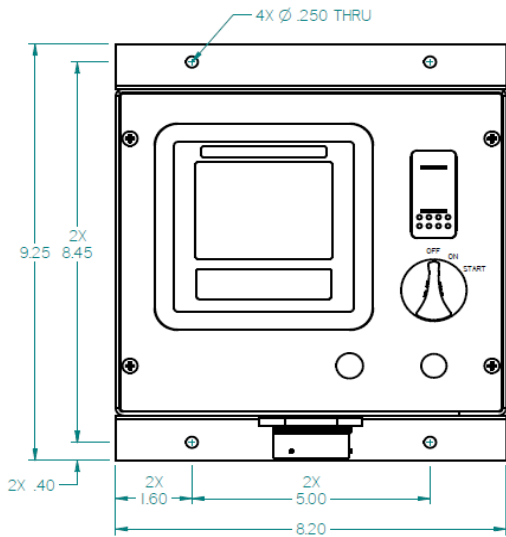
Supplement to Yanmar Kit Installation Instructions

SAFETY

This product is designed and intended only for use with a YANMAR engine. All safety and warning information contained in the Yanmar Operation Manual and Service Manual is adopted and incorporated to apply to the components, accessories, and parts that are utilized with Yanmar engines. Follow all instructions and precautions before installing this product, before operating, during operation, and during periodic maintenance procedures for your safety, the safety of others, and to protect the performance of your engine.



Item	Part No.	Description	Quantity	Remarks
1	129C88-91510	Panel ASSY w/8x7 Enclosure	1	
2	129A88-91320*	Key	2	



ISOMETRIC VIEW NOT TO SCALE

- TIER 4F MODELS**
- 3TNV80FT
 - 3TNV88F-E (w/KPH3&20)
 - 3TNV88C
 - 3TNV86CT
 - 4TNV88C
 - 4TNV86CT
 - 4TNV98C
 - 4TNV98CT
 - 4TNV94FHT

Remarks: This kit includes a color panel display, keyswitch & key, speedswitch, panel harness, metal enclosure box
 Note: Service parts are denoted by an asterisk. To replace non-service parts, the entire kit will need to be purchased.