



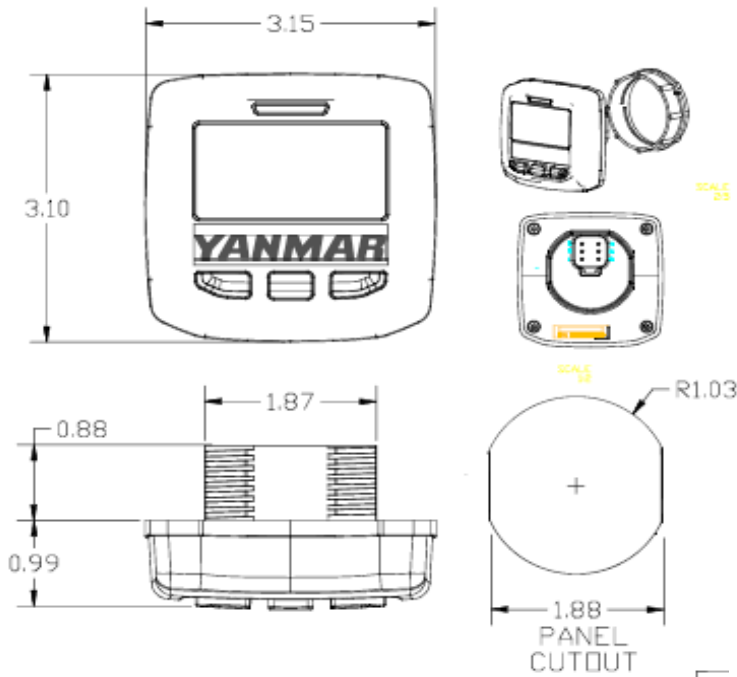
Supplement to Yanmar Kit Installation Instructions

SAFETY

This product is designed and intended only for use with a YANMAR engine. All safety and warning information contained in the Yanmar Operation Manual and Service Manual is adopted and incorporated to apply to the components, accessories, and parts that are utilized with Yanmar engines. Follow all instructions and precautions before installing this product, before operating, during operation, and during periodic maintenance procedures for your safety, the safety of others, and to protect the performance of your engine.



Item	Part No.	Description	Quantity	Remarks
1	129A88-91310	Panel ASSY	1	



TIER 4F MODELS

- 3TNV88C-DSA
- 3TNV88C-DYEM
- 4TNV88C-DSA
- 4TNV88C-DYEM
- 4TNV86CT-GGE
- 4TNV98C-GGE
- 4TNV98C-NSA
- 4TNV98C-NYEM
- 4TNV98CT-GGE

DISPLAY PINDUT		
NAME	GNB	DESC
GND	1	DC RETURN
POWER	2	DC SUPPLY
CAN_H	3	DATA
CAN_L	4	DATA
NC	5	NOT USED
SPEED	6	ANALOG INPUT

Remarks: