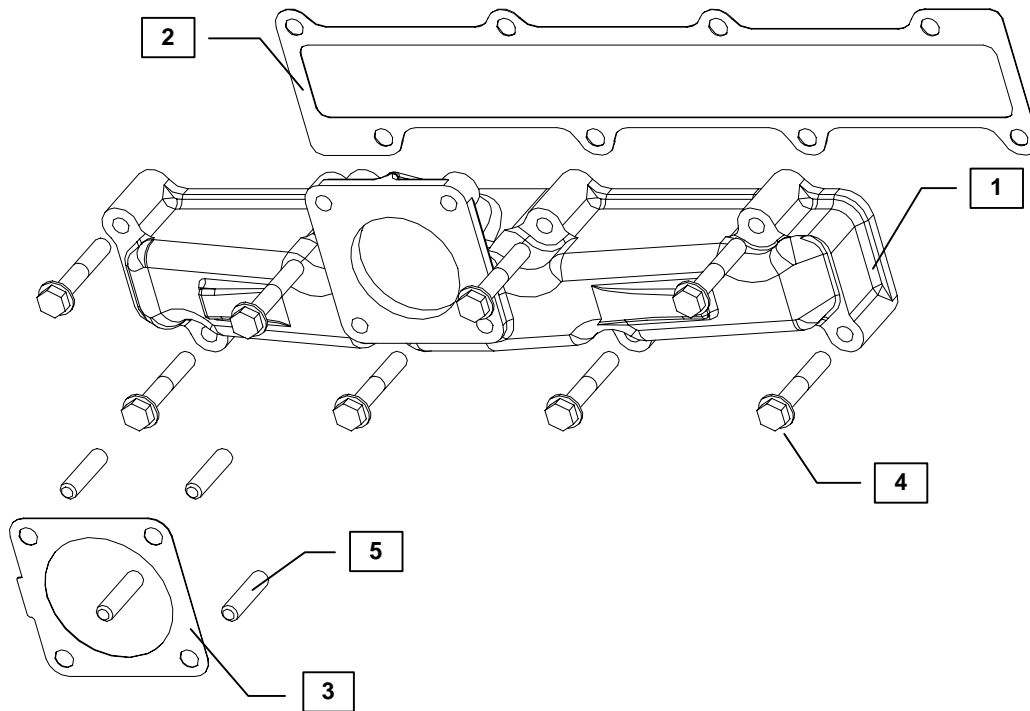


Kit Name: KXM7



Item	Lev.	O	Part No.	Description	Quantity	Remarks
1	-		129900-13120*	Manifold, Exhaust	1	
2	-		129900-13150*	Gasket, Manifold	1	
3	-		129930-13200*	Gasket, muffler	1	
4	-		119802-13610*	Bolt, flange M8x45	8	
5	-		119131-18320*	Stud bolt, M8x22	4	
6	-					
7						
8						
9						
10						
11						
12						
13						
14						
15						



MODELS
4TNV98-GGE
4TNV98-NSA
4TNV98-NSA2
4TNV98-NSA3
(not for 2008 "Z"
models)

Note: Service parts are denoted by an asterisk. To replace non-service parts, the entire kit will need to be purchased.



Installation Instructions

Note:

Replace all parts listed on the parts catalog and torque them per the tightening torque table 2.

Diameter x Pitch	Kgf-m	N-M	Foot-lbf
M6 x 1.0	1.7 - 1.9	16.7 - 18.6	12.3 - 13.7
M8 x 1.25	3.0 - 3.2	29.4 - 31.4	21.7 - 23.1

NOTE: Comply with torque standards in the table to avoid unexpected damage during installation or in the future.

Table 1: Standard nuts and bolts tightening torque

Diameter x Pitch	Kgf-m	Foot-lbf	N-m
M8 x 1.25	1.5 ~ 2.9	10.6 ~ 20.9	14.4 ~ 28.3
M10 x 1.50	4.5 ~ 5.5	32.5 ~ 39.8	44.0 ~ 54.0
M12 x 1.75	8.0 ~ 10.0	57.8 ~ 72.3	78.4 ~ 98.0