



## Supplement to Yanmar Kit Installation Instructions

# SAFETY

---

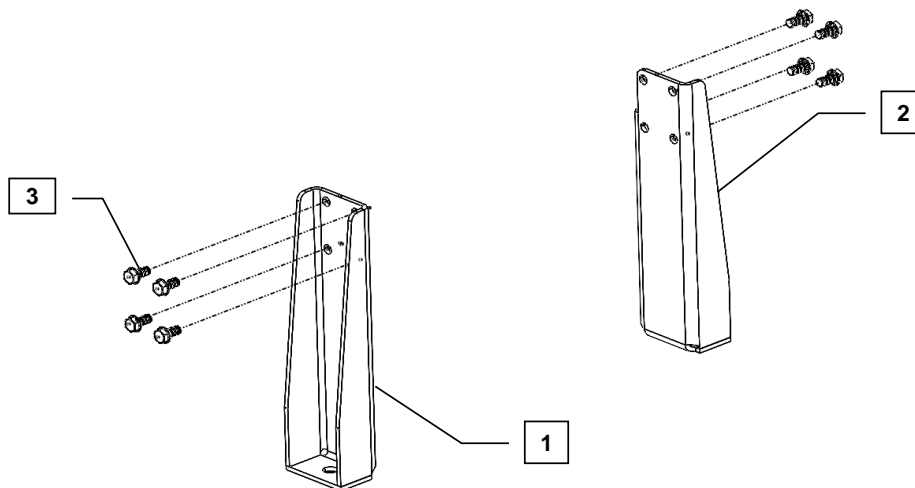
This product is designed and intended only for use with a YANMAR engine. All safety and warning information contained in the Yanmar Operation Manual and Service Manual is adopted and incorporated to apply to the components, accessories, and parts that are utilized with Yanmar engines. Follow all instructions and precautions before installing this product, before operating, during operation, and during periodic maintenance procedures for your safety, the safety of others, and to protect the performance of your engine.



Item	Level	Part No.	Description	Quantity	Remarks
1	-	129G88-08150*	Engine Foot Kit	1	
2	--	129G88-08100	Right Mouting Foot	1	
3	--	129G88-08110	Left Mounting Foot	1	
4	--	129G88-44290	Bolt, M12 - 1.75 X 25	8	

Note: Service parts are denoted by an asterisk. To replace non-service parts, the entire kit will need to be purchased.

**MODELS**  
4TN107





---

**Installation Instructions**

---

Hand tighten all bolts and nuts until assembly is completed, then torque according to specifications in Table 1.  
The numbers in ( ) below reference the item numbers on page 1.

- 1 Install Engine Mounting Feet (1 & 2) to flywheel housing mounting pads using the qty8 M12x1.75 - 25 Bolts (3) provided in kit. "Left Engine Foot" will be installed on the starter side of the Flywheel Housing.

**Table 1: Comply with torque standards in the table to avoid unexpected damage during installation or in the future.**

<b>Diameter x Pitch</b>	<b>Kgf-m</b>	<b>Foot-lbf</b>	<b>N-m</b>
M12 x 1.75	8.1 - 9.9	58.6 - 71.5	79.4 - 97.0