

**4JH3-DTE Series**

Configuration	4-stroke, vertical, water-cooled diesel engine		
Maximum output at crankshaft	* 89.1 kW@3800 rpm	[121 mhp@3800 rpm]	
	** 91.9 kW@3800 rpm	[125 mhp@3800 rpm]	
Displacement	1.995 ltr	[122 cu in]	
Bore x stroke	84 mm x 90 mm	[3.31 in x 3.54 in]	
Cylinders	4		
Combustion system	Direct injection		
Aspiration	Turbocharged with intercooler		
Starting system	Electric starting 12V - 1.4 kW		
Alternator	12V - 80A		
Cooling system	Fresh water cooling by centrifugal fresh water pump and rubber impeller sea water pump		
Lubrication system	Enclosed, forced lubricating system		
Direction of rotation [crankshaft]	Counterclockwise viewed from stern		
Dry weight without gear	229 kg	[504.8 lbs]	
Environmental	EU: RCD	BSO II	EMC
Engine mounting	Rubber type flexible mounting		

NOTE:

Fuel condition: Density at 15°C = 0.84 g/cm<sup>3</sup>; 1 kW = 1.3596 mhp = 1.3410 HP

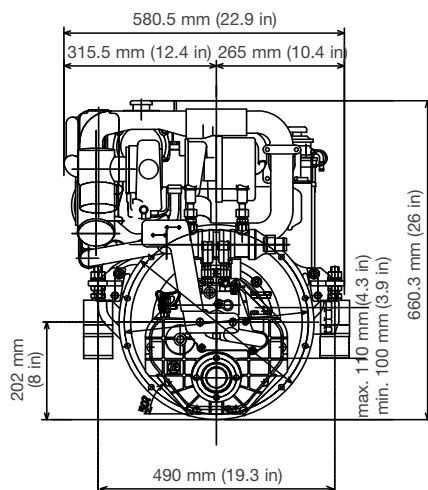
\* Fuel temperature 40°C at the inlet of the fuel injection pump [ISO 8665: 2006]

\*\* Fuel temperature 25°C at the inlet of the fuel injection pump [ISO 3046-1]

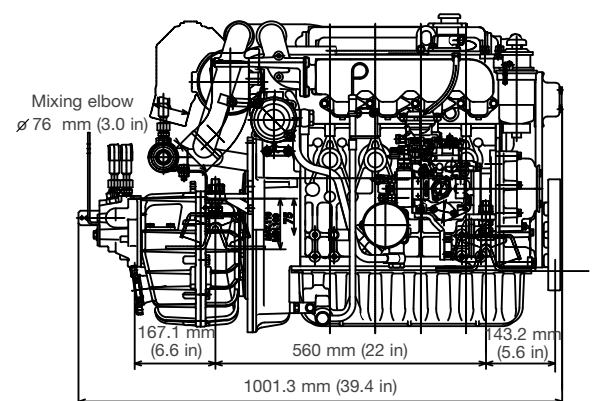
Technical data is according to ISO 8665: 2006/3046-1

DIMENSIONS

**Rear view**

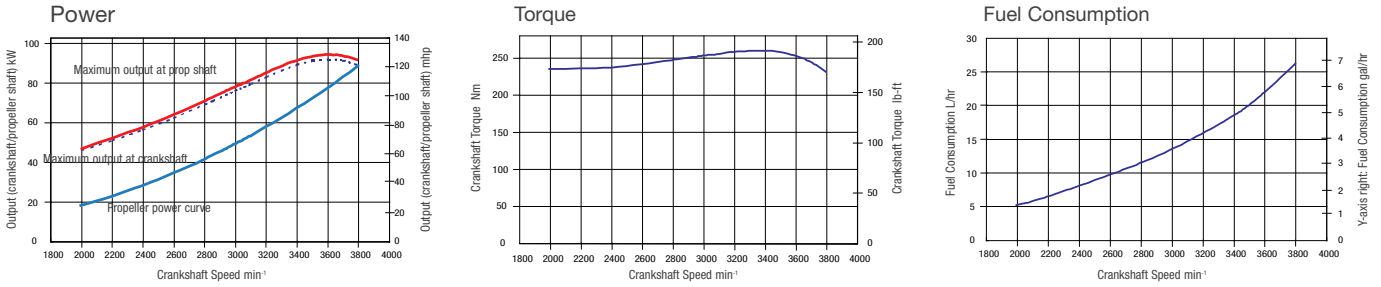


**Right side view**



4JH3-DTE with ZF25A marine gear

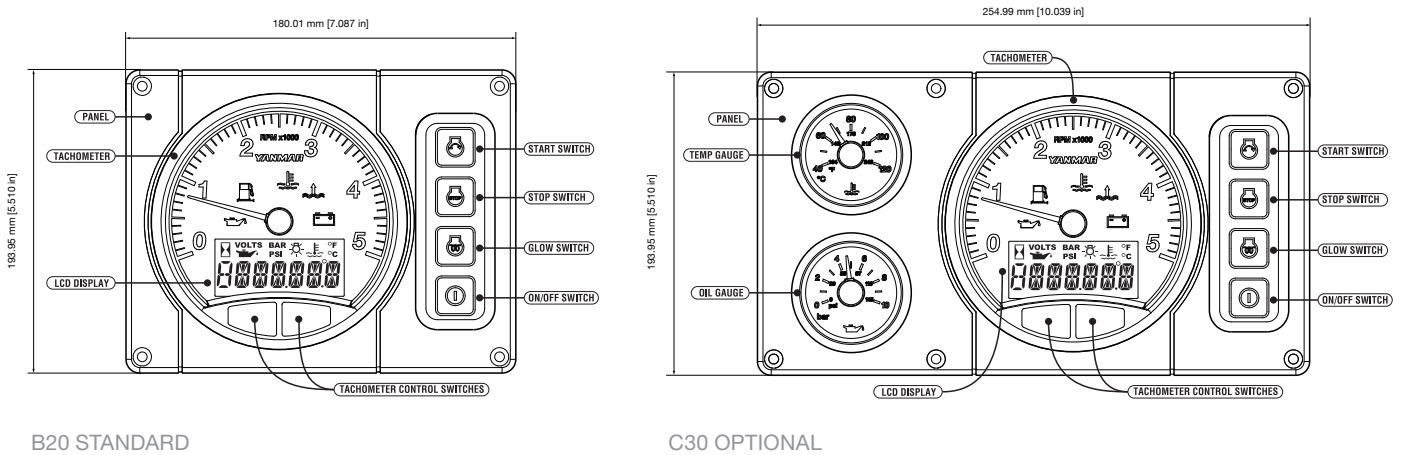
## PERFORMANCE CURVES



## MARINE GEARS/DRIVE

Model	KMH4A1 [down angle: 8°]		ZF25A	
Type	Hydraulic clutch		Hydraulic clutch	
Dry Weight	31 kg [68 lbs]		30 kg [66 lbs]	
Reduction Ratio [fwd/asn]	2.04/2.04	2.45/2.45	1.93/1.93	2.48/2.48
Propeller speed [fwd/asn]	1814/1814	1507/1507	1917/1917	1492/1492
Direction of rotation [propeller shaft - fwd]	Clockwise & Counterclockwise viewed from stern		Clockwise & Counterclockwise viewed from stern	
Dry weight - engine & gear	260 kg [573 lbs]		259 kg [571 lbs]	
Length engine and gear/drive	886 mm [35 in]		1001 mm [39 in]	

## INSTRUMENT PANELS



## ACCESSORIES

### Standard Package

- Set of flexible mounts
- Exhaust mixing elbow [L-type]
- Expansion tank for fresh water cooling system
- Alternator 12V - 80A
- Electric stop solenoid
- Operation manual
- B20-panel
- Sensor for instrument panel

### Optional

- High-riser mixing elbow [instead of L-elbow]
- Extension wire harness [4m, 6m, 10m]
- Hot water fitting with cocks
- Second station harness
- C30-panel
- Sensor for C30-panel

NOTE: All data subject to change without notice. Text and illustrations are not binding.