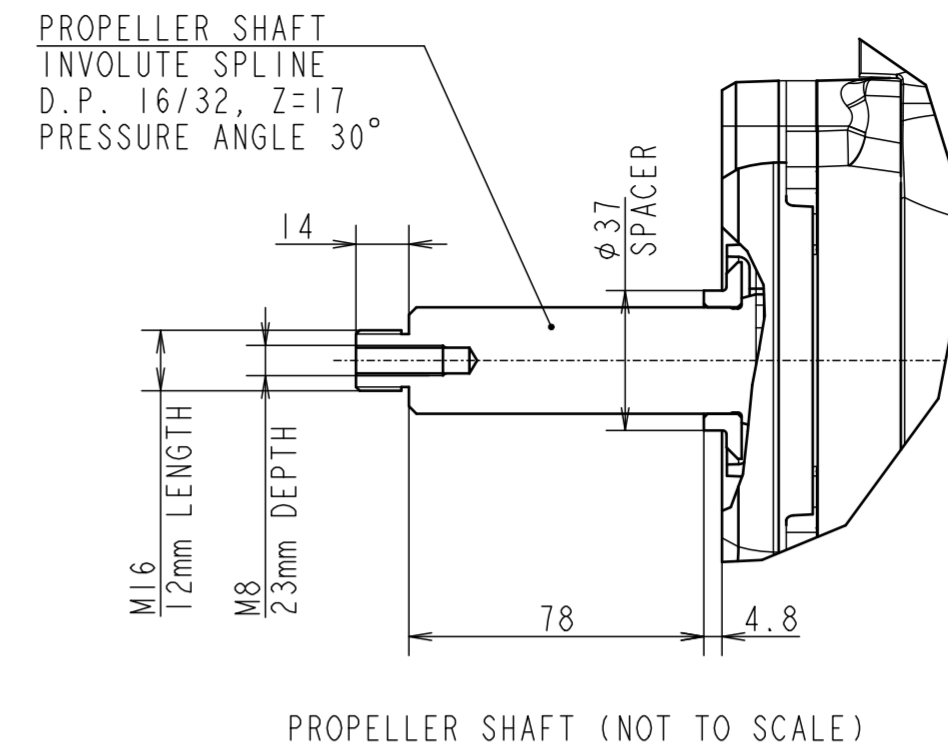
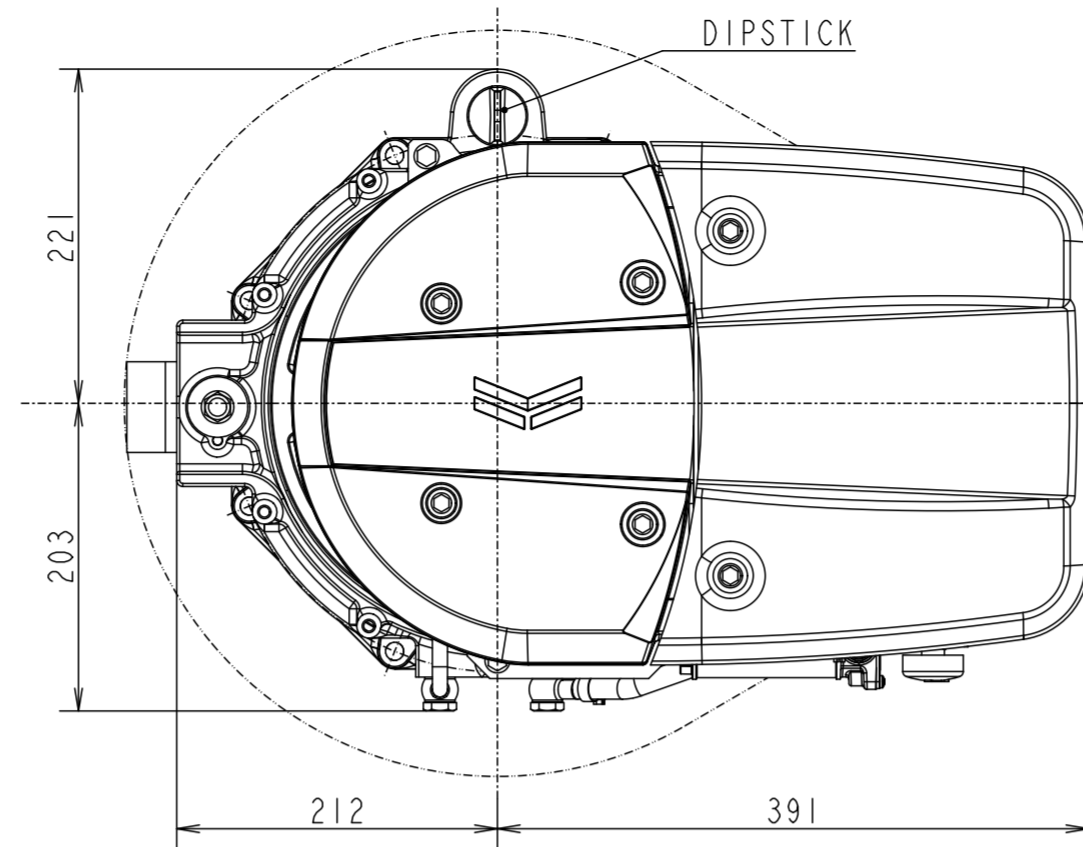
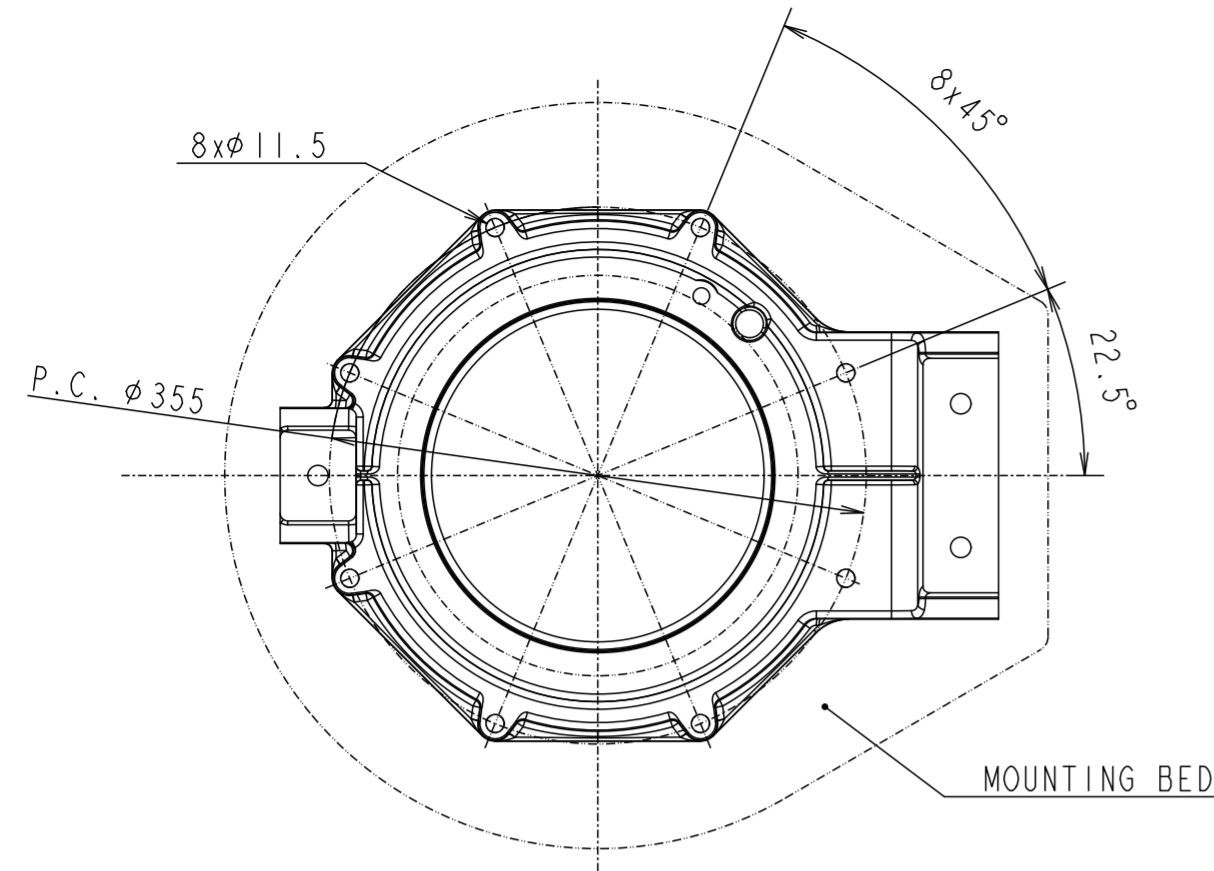
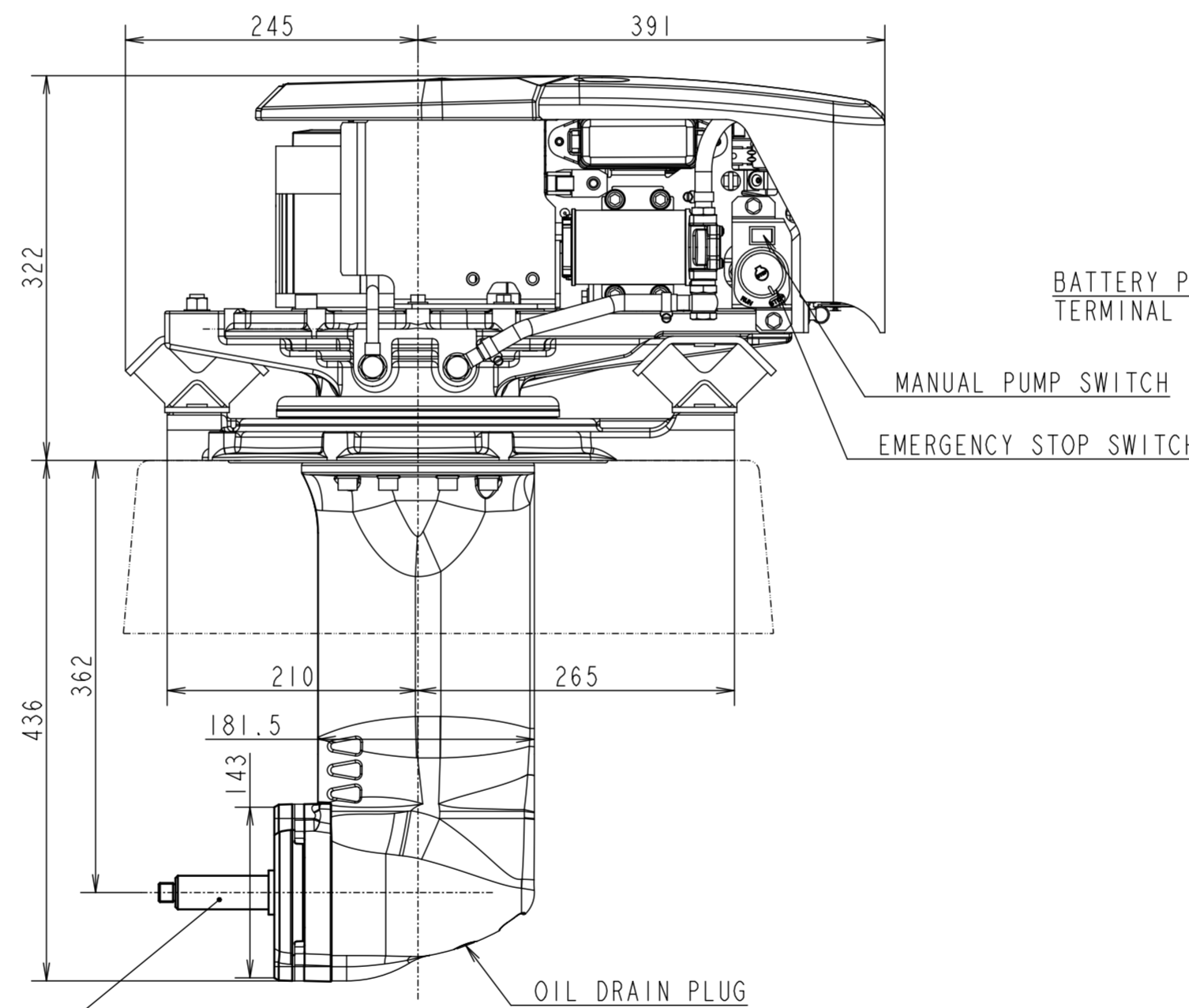
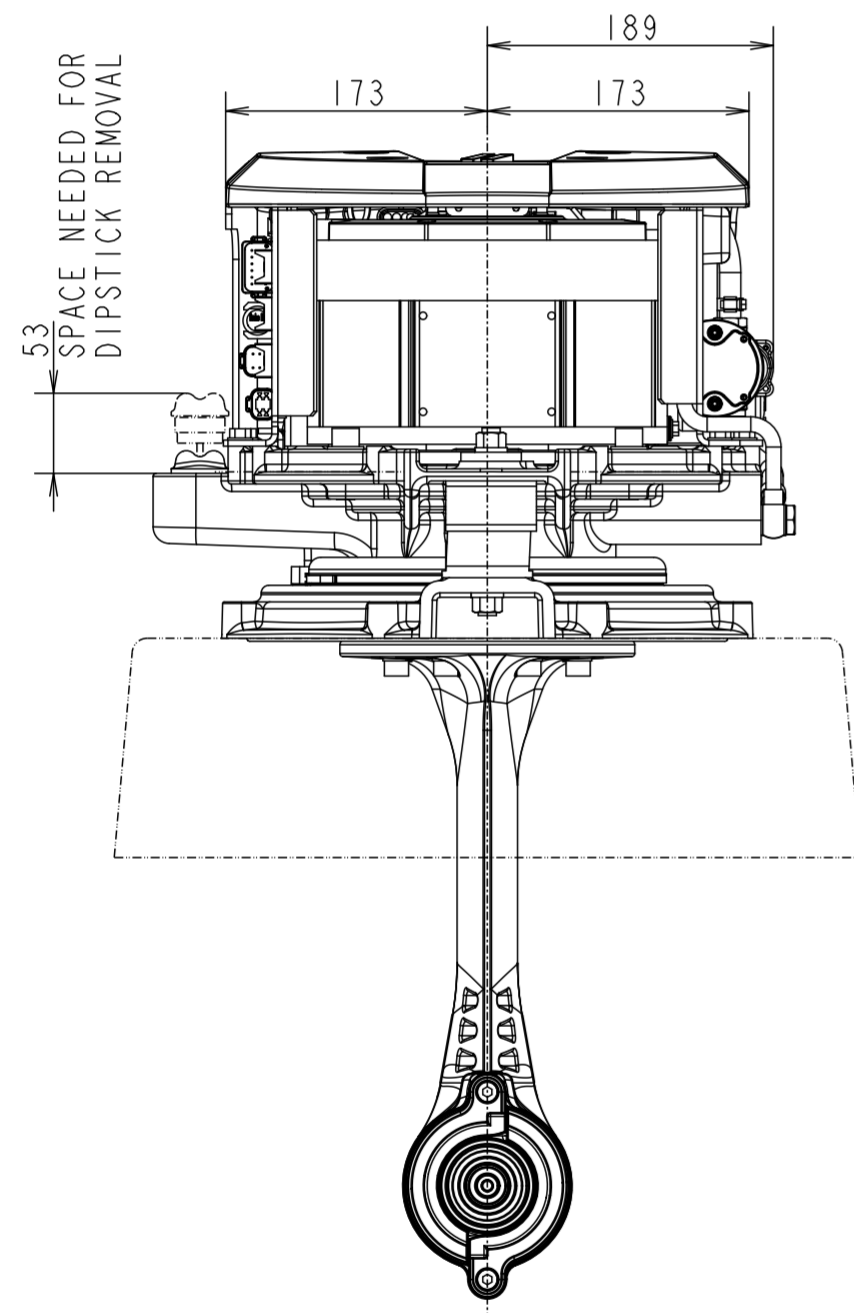


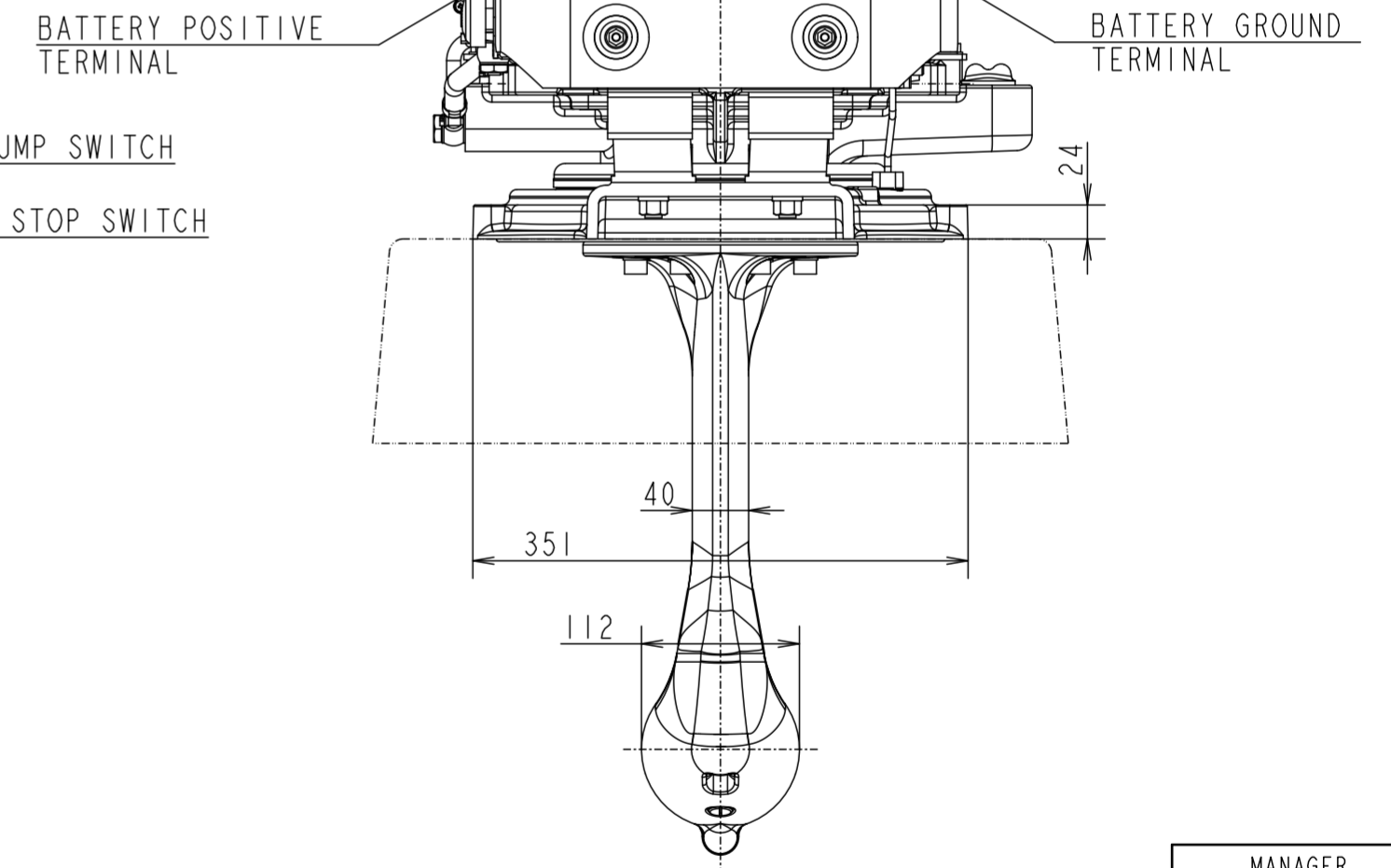
CAREER



PROPELLER SHAFT (NOT TO SCALE)



PROPELLER SHAFT
INVOLUTE SPLINE
D.P. 16/32, Z=17
PRESSURE ANGLE 30°



先行手配用
FOR PRELIMINARY

MANAGER

TECHNICAL SPECIFICATIONS		
MODEL	ESD10	ESD7.5
OUTPUT SHAFT POWER	kW/min ⁻¹ 10 / 2700	7.5 / 2700
REDUCTION RATIO	2.13	
DRY WEIGHT	kg 68.7	
OIL TYPE	ATF	
OIL CAPACITY	L 3.2	

SEC. MANAGER	MODEL	ESD10	ESD7.5	SCALE	1:5
CHECKED	SPECIALIST	QTY	-	MATERIAL	-
DESIGNED	DRAWN	DATE: Y.M.D	NAME	ESD10 / ESD7.5 OUTLINE	
		1vdB	2024.04.18		
YANMAR				CODE	B5-V5900-0020
YANMAR MARINE INTERNATIONAL B.V.				DRAW SIZE	A2

3D-CAD

NOTICE

GEOMETRICAL TOLERANCE

KIND OF TOLERANCE

SYMBOL

FORM

PARALLELISM TOLERANCE

PERPENDICULARITY TOLERANCE

ANGULARITY TOLERANCE

POSITIONAL TOLERANCE

COINCIDENCE TOLERANCE

SYMMETRY TOLERANCE

STRAIGHTNESS TOLERANCE

FLATNESS TOLERANCE

CYLINDRICITY TOLERANCE

CONCENTRICITY TOLERANCE

TOTAL RUN-OUT TOLERANCE

INDIVIDUAL RUN-OUT TOLERANCE