



# SDe Series - 7 / 10 / 15

	SDe7	SDe10	SDe15	
Rated output	7 kW @ 2700 rpm	10 kW @ 2700 rpm	15 kW @ 2700 rpm	
Max speed	2900 rpm	2900 rpm	2900 rpm	
Max speed (reverse boost)	3300 rpm	3300 rpm	3300 rpm	
Rating*	S2-60	S2-60	S2-60	
Gear ratio	2.13	2.13	2.13	
Dry weight	68.7 kg [151.5 lbs]	68.7 kg [151.5 lbs]	78.0 kg [172 lbs]	
Dimensions (excl. prop) L x W x H	758 x 636 x 424 mm	758 x 636 x 424 mm	793 x 636 x 424 mm	
Nominal voltage	48V	48V	48V	
Battery technology	Lithium-ion LiFePO4	Lithium-ion LiFePO4	Lithium-ion LiFePO4	
Minimal battery capacity	2 x LFP230 (11.6 kWh)	2 x LFP304 (15.6 kWh)	4 x LFP230 (23.2 kWh)	
Expected runtime**	Cruise speed (30% power)	5 hours, 15 minutes	5 hours	4 hours, 45 minutes
	High speed (50% power)	3 hours	3 hours	2 hours, 45 minutes
	Full speed (100% power)	1 hours, 30 minutes	1 hours, 30 minutes	1 hours, 15 minutes

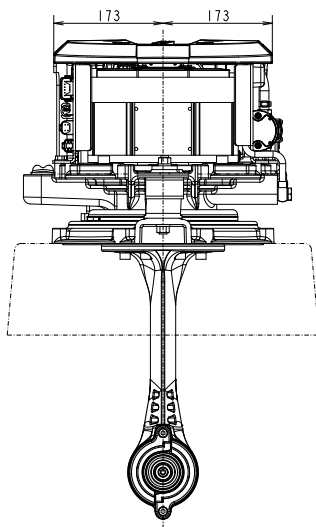
Note: Battery and propeller are not included in standard delivery

\* S2-60 = Minimum 60 minutes at full rated output, at sea water temperature 30°C, ambient air temperature 50°C

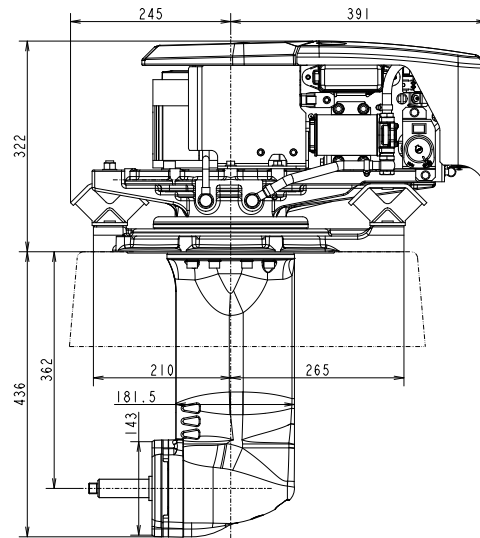
\*\* Estimated runtime with minimal required battery capacity. Actual performance may vary based on additional loads, or external factors. No rights can be derived from this information.

## DIMENSIONS

### Rear view



### Right side view

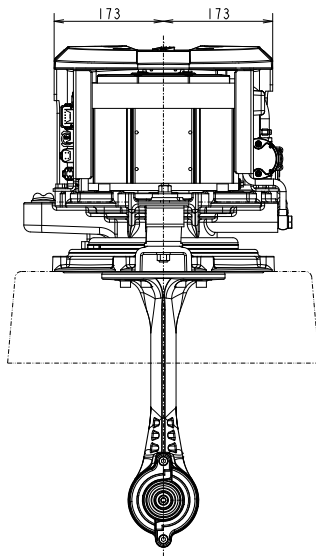


SDe7/SDe10  
(Not to be used for installation)

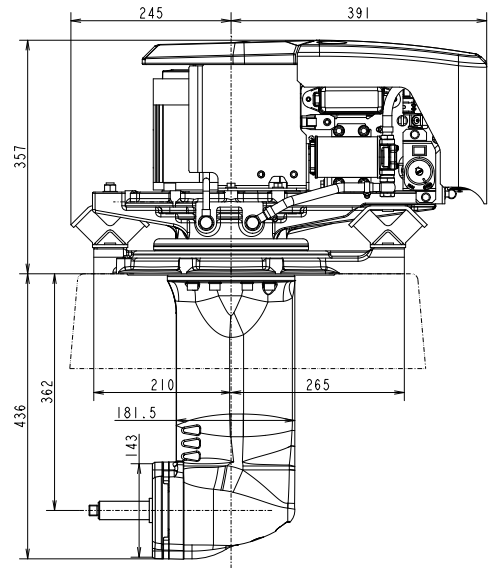


DIMENSIONS

Rear view



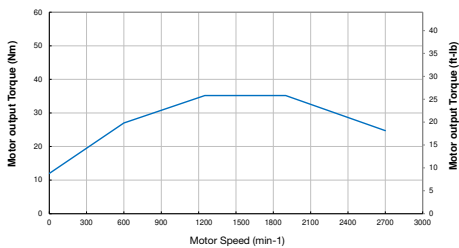
Right side view



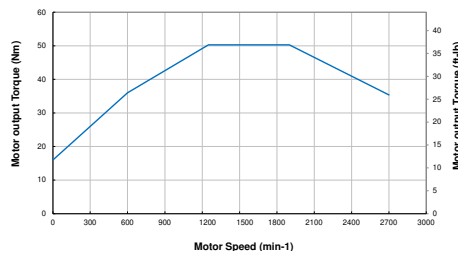
SDe15  
(Not to be used for installation)

PERFORMANCE CURVES

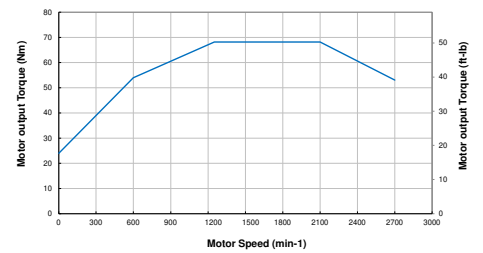
SDe7 Torque curve



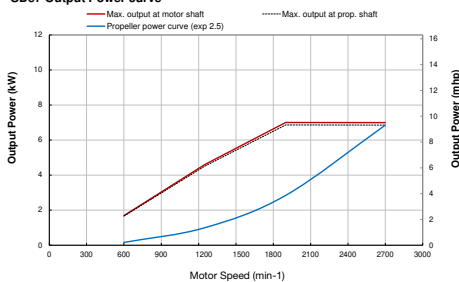
SDe10 Torque curve



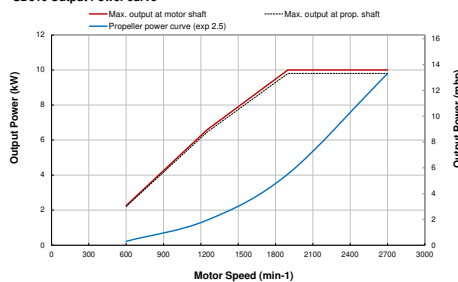
SDe15 Torque curve



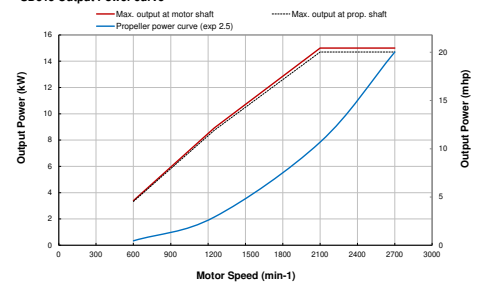
SDe7 Output Power curve



SDe10 Output Power curve



SDe15 Output Power curve



ACCESSORIES

**SDe Standard Components**

- Battery cable connectors
- Display
- Control head (side mount or top mount)
- Switch panel
- Backup panel
- Harnesses [3m, 5m, 10m]
- Terminator

**Battery components**

- Battery BMS Master LV 600A
- Battery model LFP230 / LFP304
- Battery display
- Battery remote power switch
- Battery water ingress protection cover

**Optional accessories**

- E-stop switch
- CAN cables
- Lanyard switch

NOTE: All data subject to change without notice. Text and illustrations are not binding.