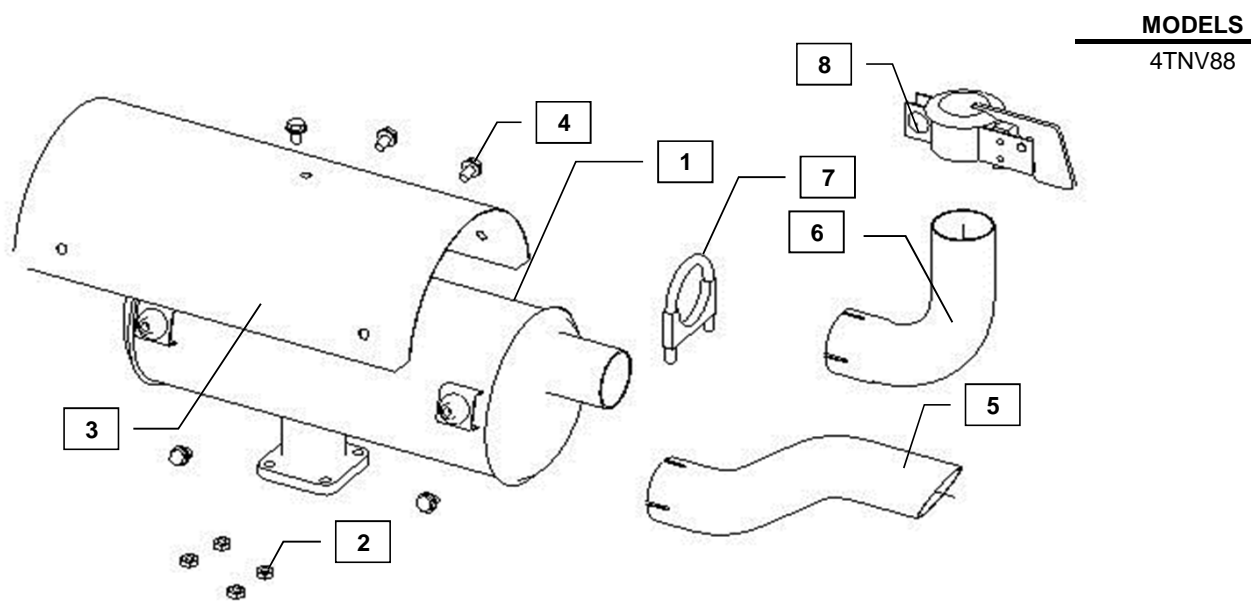


Kit Name: KM3



YANMAR CO., LTD.
YANMAR AMERICA CORP.

Item	Part No.	Description	Quantity	Remarks
--	729689-13110	Muffler Kit	1	
1	129687-13500	Muffler	1	
2	26306-080002	Nut, M8 x 1.25 (Flanged hex head)	4	
3	129087-13550	Heat shield	1	
4	26106-080122	Bolt, M8 x 1.25 - 12 (Flanged hex head)	5	
5	129087-13510	Extention pipe	1	
6	129087-13520	Tail pipe elbow	1	
7	129087-13540	Clamp, Extension Pipe	1	
8	129087-13530	Rain Cap	1	



Notes: Parts code is not assigned to non-serviceable component parts.

Remarks:



Installation Instructions

WARNING: DO NOT INSTALL THE KIT WHILE THE ENGINE IS STILL HOT

Hand tighten all bolts and nuts until the assembly is completed, then torque to the specifications in Table 1 below.

1. Place the exhaust gasket included with the engine on the exhaust manifold flange studs.
2. Mount the muffler (1) on the exhaust manifold flange studs, secure using the M8x1.25 flange nuts (2).
3. Position the heat shield (3) over the muffler and secure with the M8x1.25 - 12 flange hex head bolts (4).
4. Choose either the exhaust extension pipe (5) or the elbow pipe* (6), slide clamp (7) over the split end of the selected exhaust pipe leaving a loose fit.
5. Position the split end of the chosen pipe over the muffler outlet and tighten the clamp so that a good seal is formed.

*If the elbow pipe is chosen, the raincap (8) should be installed.

Table 1: Proper torque specifications for bolts and nuts.

Diameter x Pitch	Kgf-m	Foot-lbf	N-m
M8 x 1.25	1.5 ~ 2.9	10.6 ~ 20.9	14.4 ~ 28.3