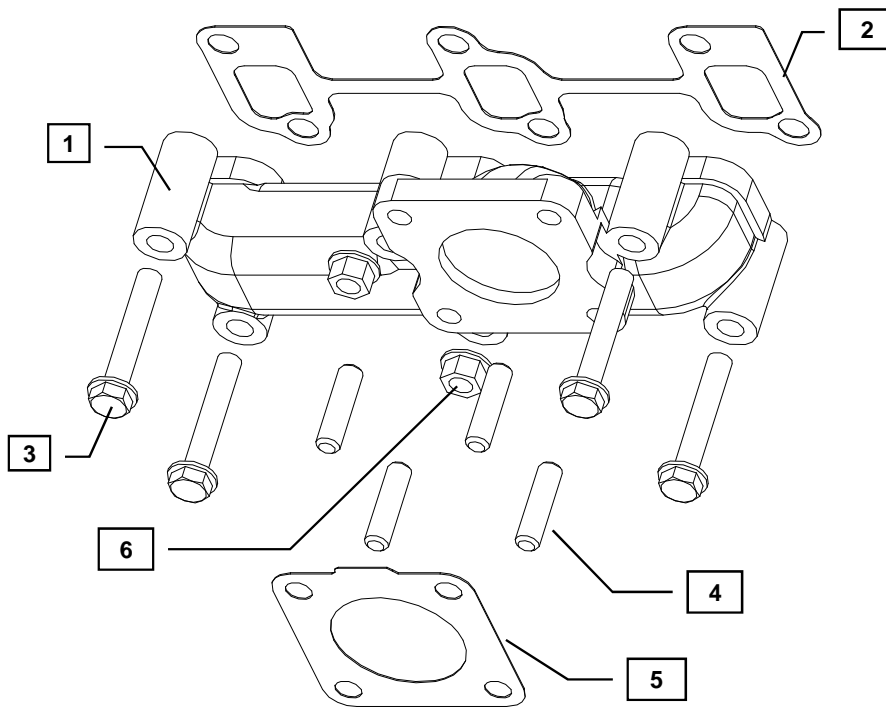


Kit Name: KXM8



YANMAR CO., LTD.
YANMAR AMERICA CORP.

Item	Part No.	Description	Quantity	Remarks
1	119718-13100	Manifold, Exhaust	1	
2	119717-13110	Gasket, Manifold	1	
3	119802-13620	Bolt, flange M8x1.25 - 50	4	
4	119131-18320	Stud, M8 x 1.25 - 22	4	
5	119515-13200	Gasket, muffler	1	
6	26306-080002	Nut, M8 x 1.25 (Flanged hex head)	2	



MODELS

3TNV70
3TNV76

Notes: Parts code is not assigned to non-serviceable component parts.

Remarks:



Installation Instructions

WARNING: DO NOT INSTALL THE KIT WHILE THE ENGINE IS STILL HOT

Hand tighten all bolts and nuts until the assembly is completed, then torque to the specifications in Table 1 below.

1. Remove existing manifold and make sure head surface is free of debris.
2. Install M8x1.25 - 50 Flange Bolts (3) in the left and right sides
3. Place the Manifold Gasket (2) over the installed Studs (4)
4. Place the Exhaust Manifold (1) over the Manifold Gasket (2)
5. Install additional M8x1.25 bolts from previous manifold along with the provided M8x1.25 Flanged Nuts (6)
6. Tighten in a cross or star pattern to apply even clamp load on the Manifold Gasket (2), tighten to spec listed in Table 1 below.
7. Install M8x1.25 - 22 Studs (5) in exhaust flange to receive exhaust piping.

Table 1: Standard nuts and bolts tightening torque

Diameter x Pitch	Kgf-m	Foot-lbf	N-m
M6 x 1.0	1.7- 1.9	12.3 - 13.7	16.7 - 18.6
M8 x 1.25	3.0 - 3.2	21.7 - 23.1	29.4 - 31.4
M10 x 1.50	4.5 ~ 5.5	32.5 ~ 39.8	44.0 ~ 54.0
M12 x 1.75	8.0 ~ 10.0	57.8 ~ 72.3	78.4 ~ 98.0