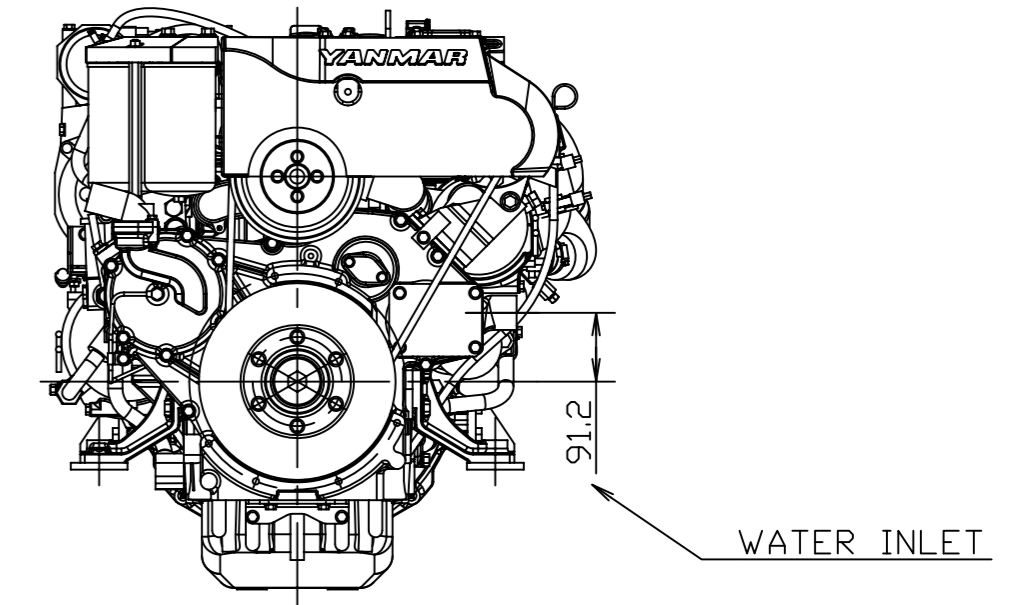
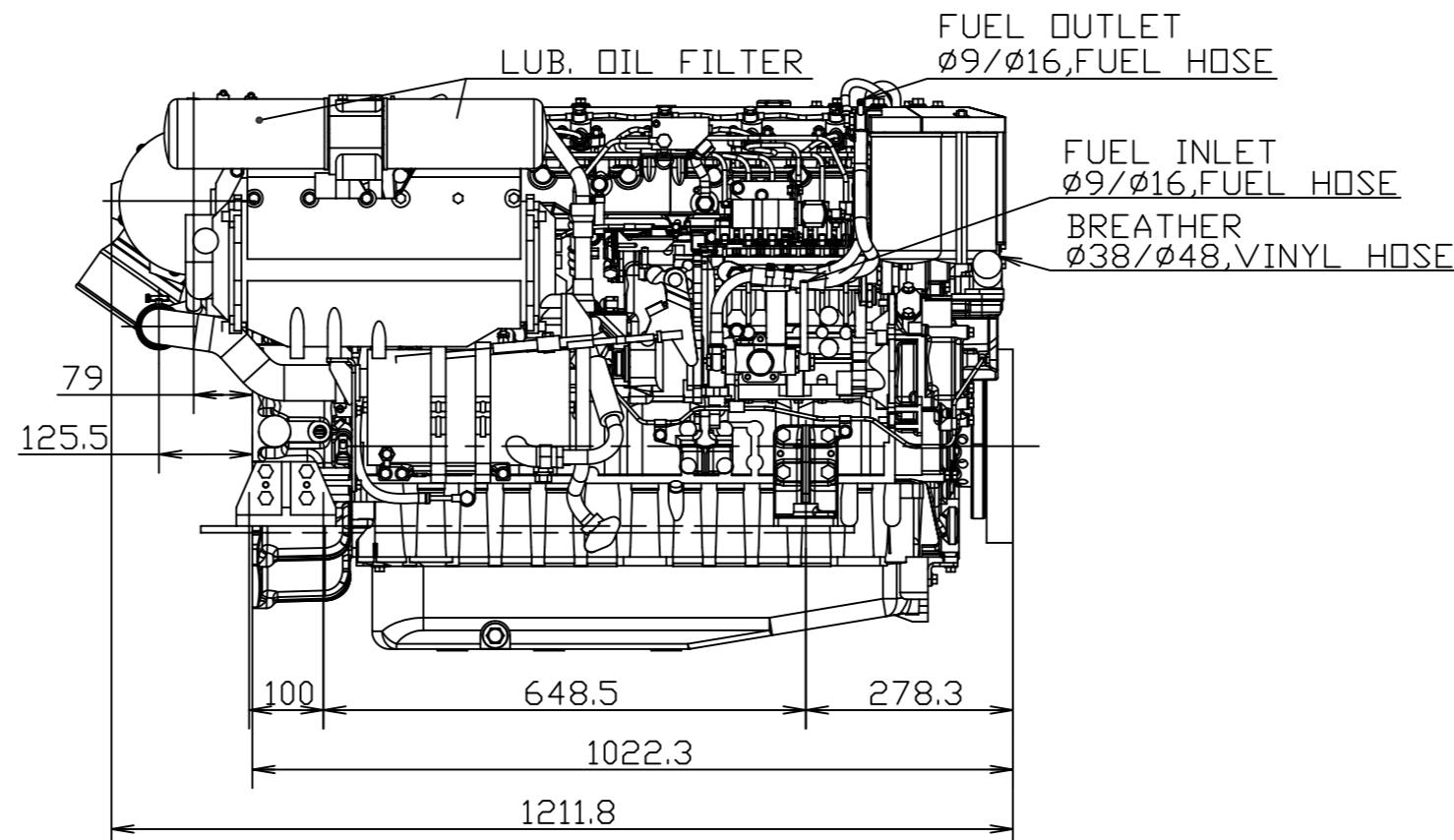
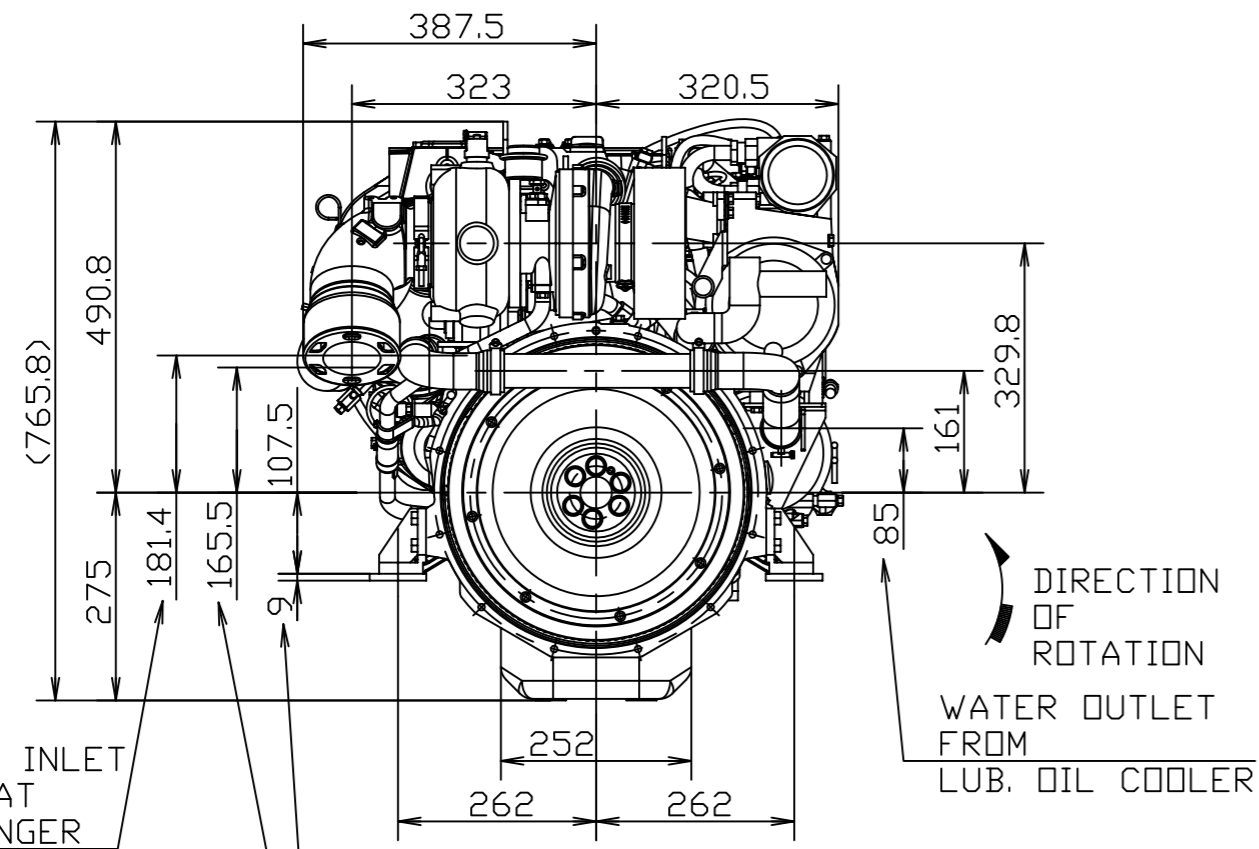
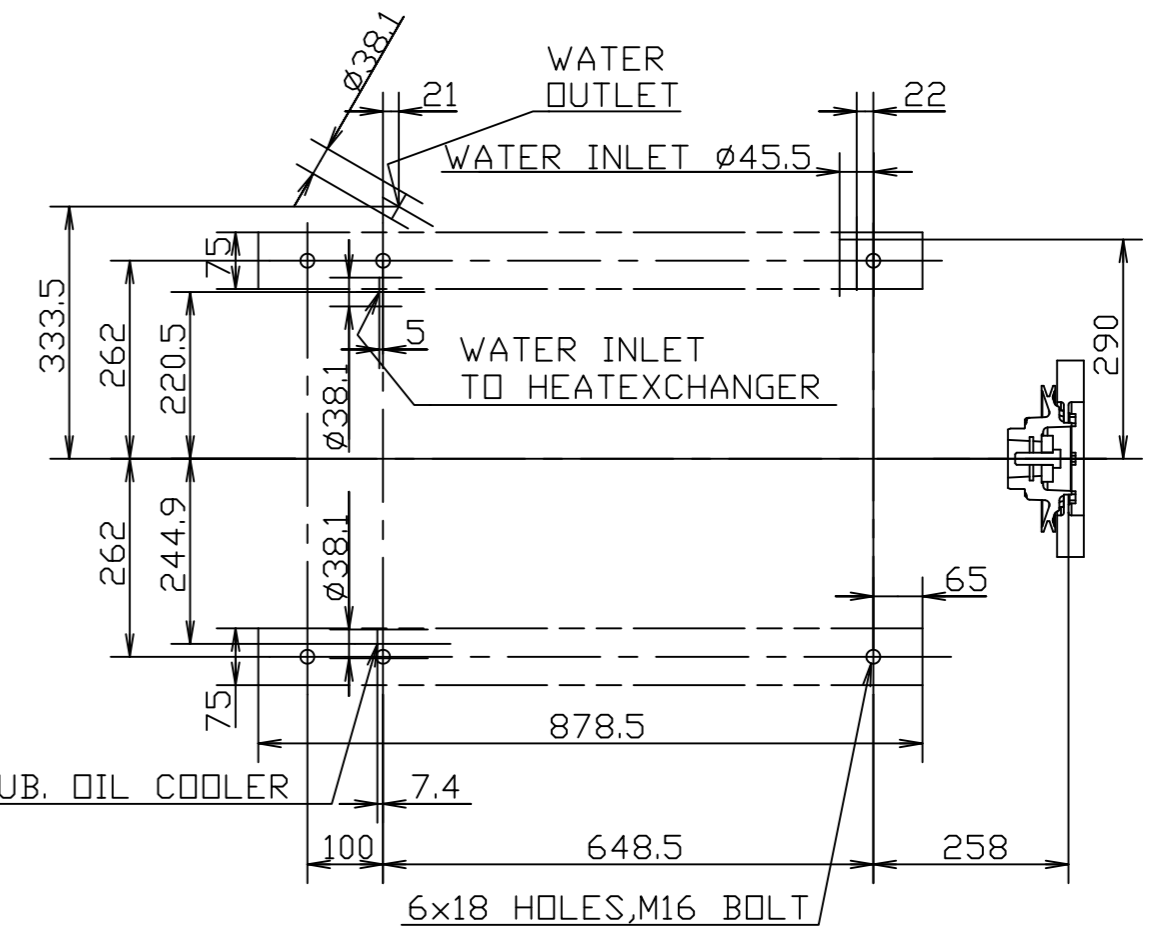


WATER OUTLET FROM LUB. OIL COOLER

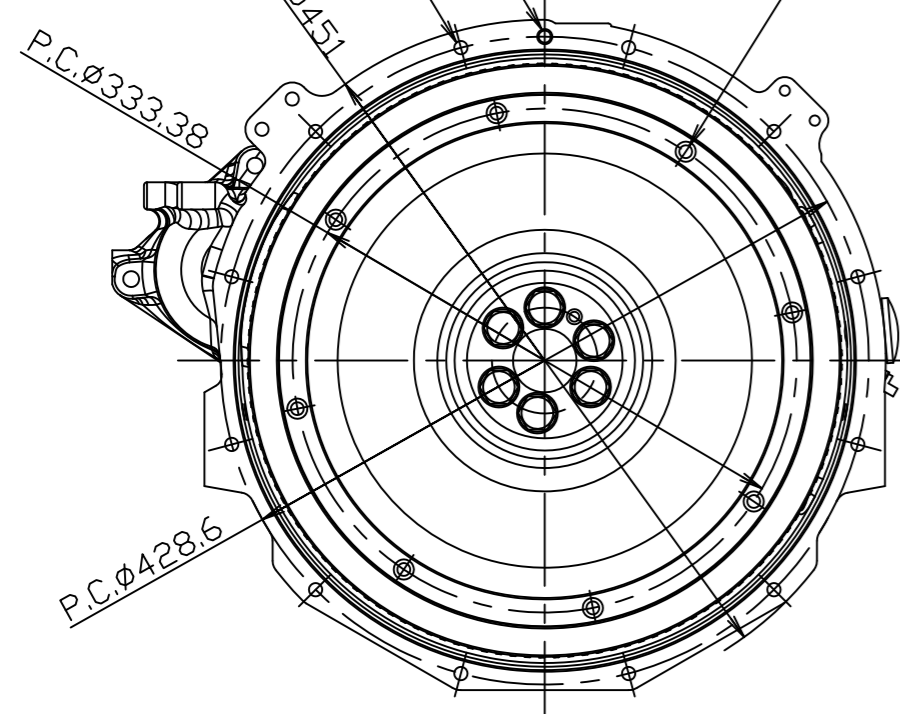


PARALLEL PIN HOLE 10H7, DEPTH 12/14

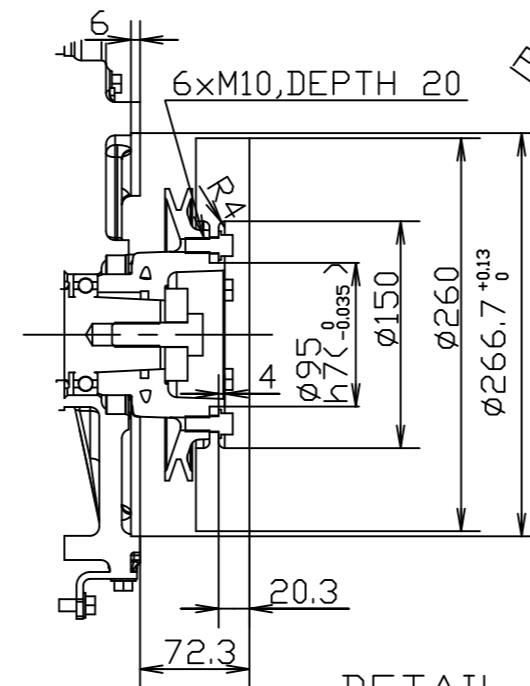
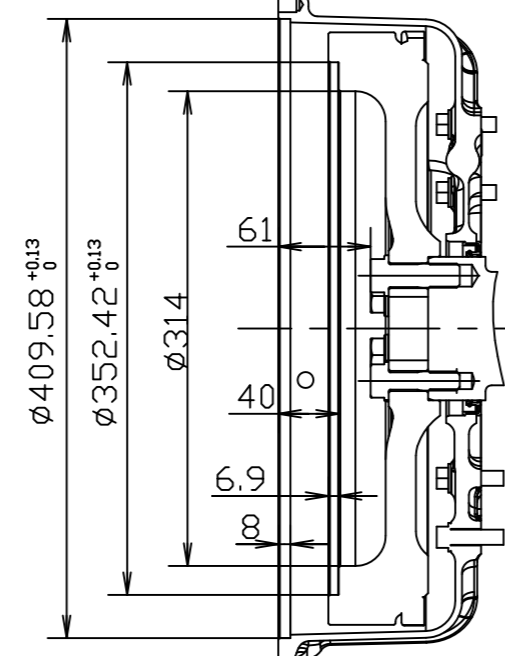
WATER OUTLET

12xM10, DEPTH 19

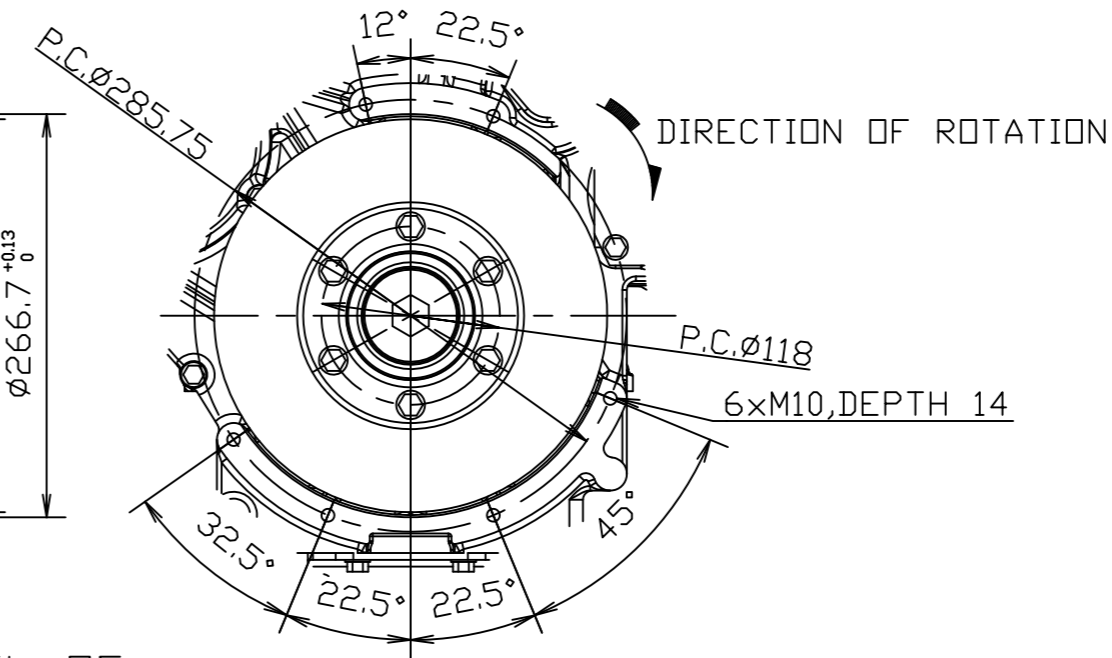
8xM10, DEPTH 15



DETAIL OF FLYWHEEL OUTPUT SIDE
(SCALE 1:5)



DETAIL OF FRONT COUPLING
(SCALE 1:5)



RIGID INSTALLATION

SCALE	NAME	MODEL
15(1:10)	OUTLINE	6LY2M
DATE	ORIGINAL DRAWING NUMBER	REVISION
10-14-2014	B2-19595-0650	0